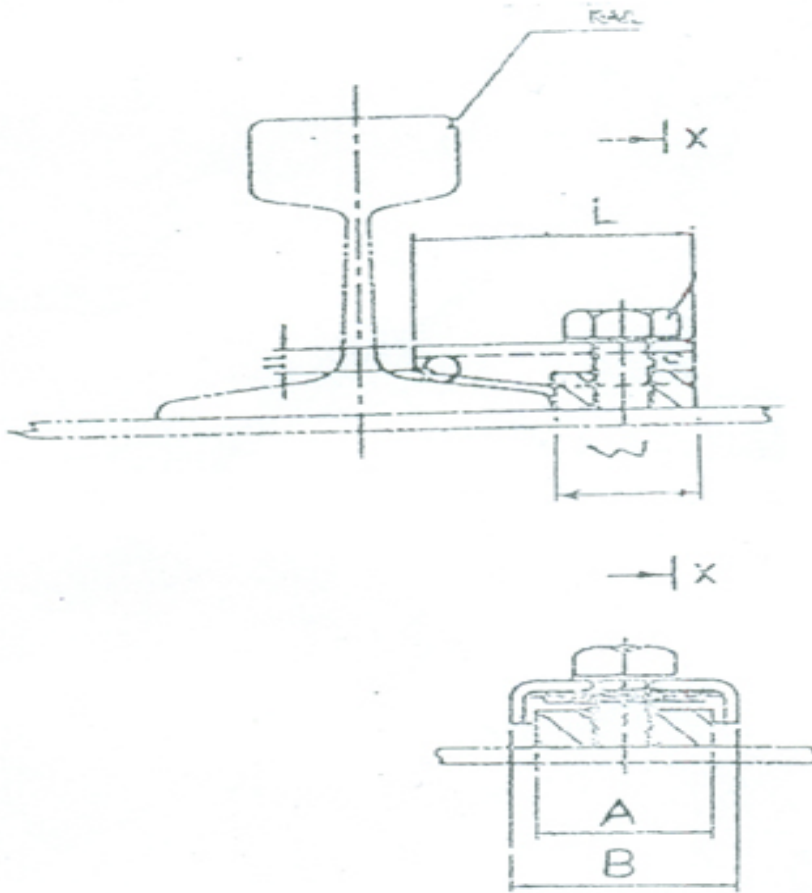


## Rail clamps

### RAIL CLAMP Single Bolted



Rail Type	L	W	Thik	Bolt	NOS
30/40 LBS	65	50	4	M 12x20	1
60 LBS	75	65	5	M 16x25	1
90 LBS	75	65	5	M 20x30	1

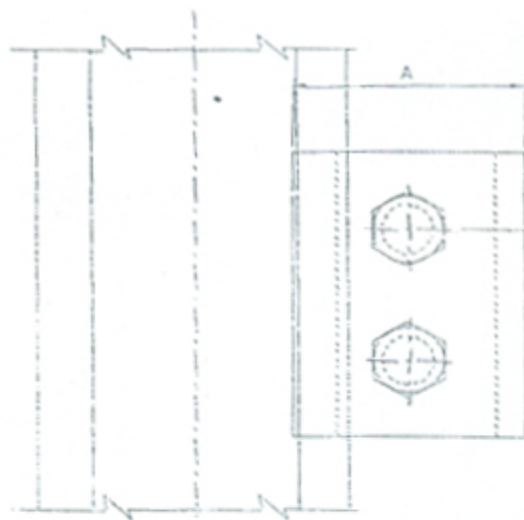
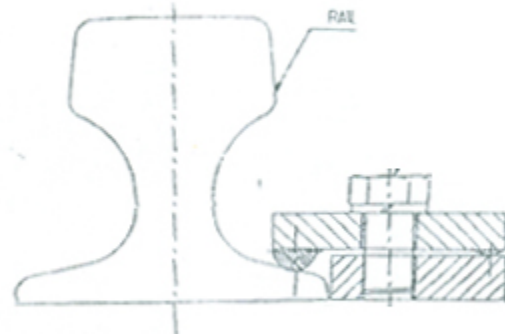


**VIJAYALAXMI ENTERPRISES**

Bldg. No. 17/603, Freshia, Regency Estate,  
Kalyan-Shil Road, Dombivli (E) - 421201.

# RAIL CLAMP

Double Bolted



RAIL TYPE	CLAMP					ALIGNMENT BLOCK			BOLT SIZE
	A	B	C	D	H	K	P	T	
CR100/CR120	100	16	130	35	56	75	50	20	M20 X 40
	75	16	130	25	56	50	25	20	M20 X 40

 **VIJAYALAXMI ENTERPRISES**

Bldg. No. 17/603, Freshia, Regency Estate,  
Kalyan-Shil Road, Dombivli (E) - 421201,